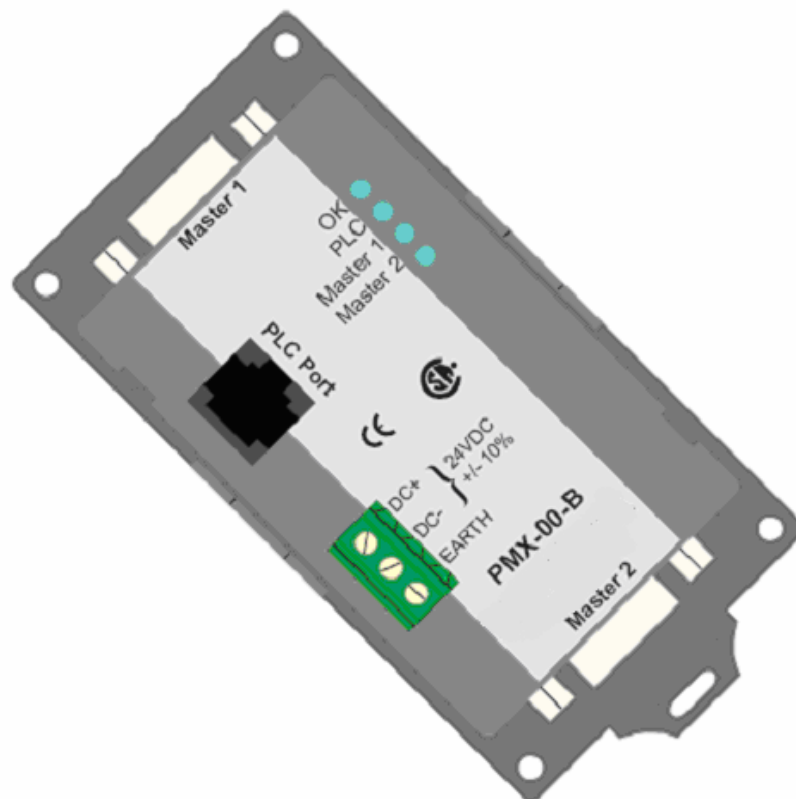


## ● Port Multiplexer



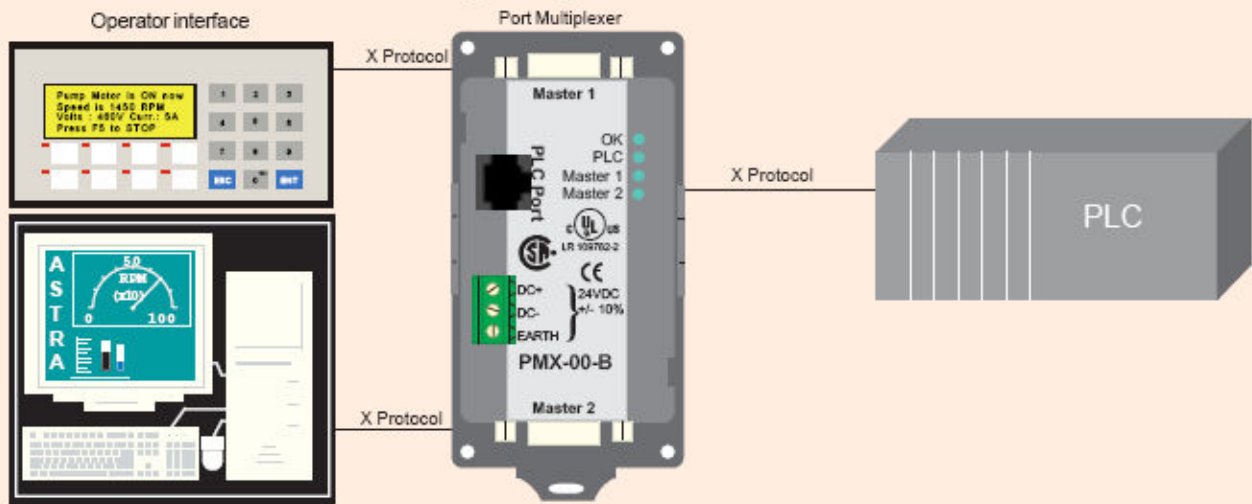
### Device to connect two masters to one slave

- ▶ DIN Rail or Panel Mounted compact Port Multiplexer
- ▶ Hardware with three communication ports
- ▶ RS232 support for Master Ports. PLC port with RS232 / RS422 / 2 or 4 wire RS485 / CMOS
- ▶ Connect Two Master devices to any serial device (e.g. PLC, Drive) on same protocol
- ▶ Ideal for PLC's / Drives which have only one communication port
- ▶ Same model can be configured for different supported protocols
- ▶ Free Programming software for Port Multiplexer !!
- ▶ CE marked with optional UL/ CSA certification

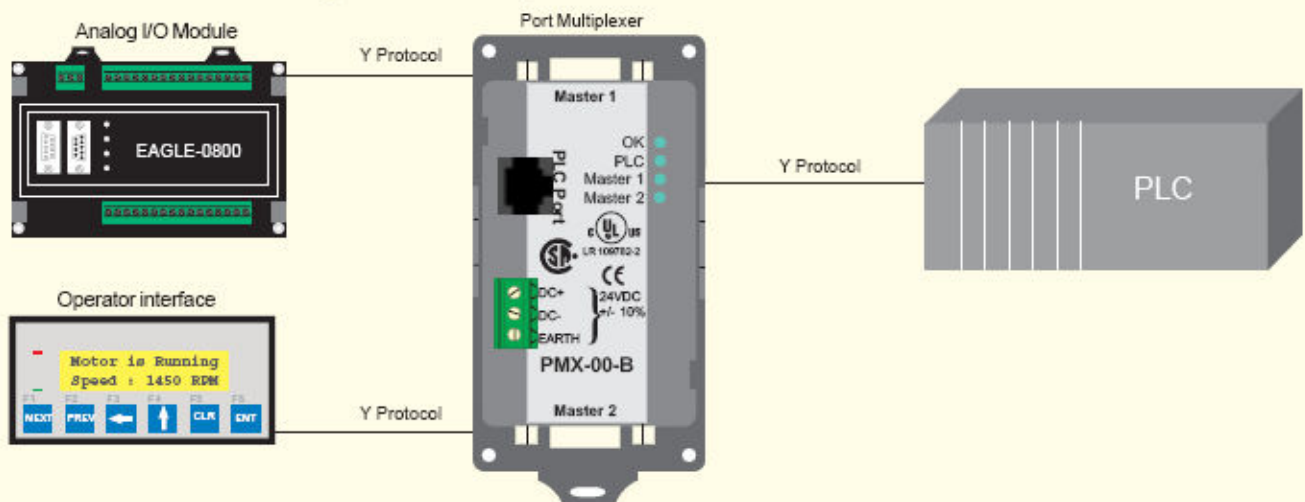
# Possible Applications

Port Multiplexer allows the connection of two field devices to a single controller (PLC) over a serial link on time sharing basis with same protocols. Some of possible Port Multiplexer applications include:

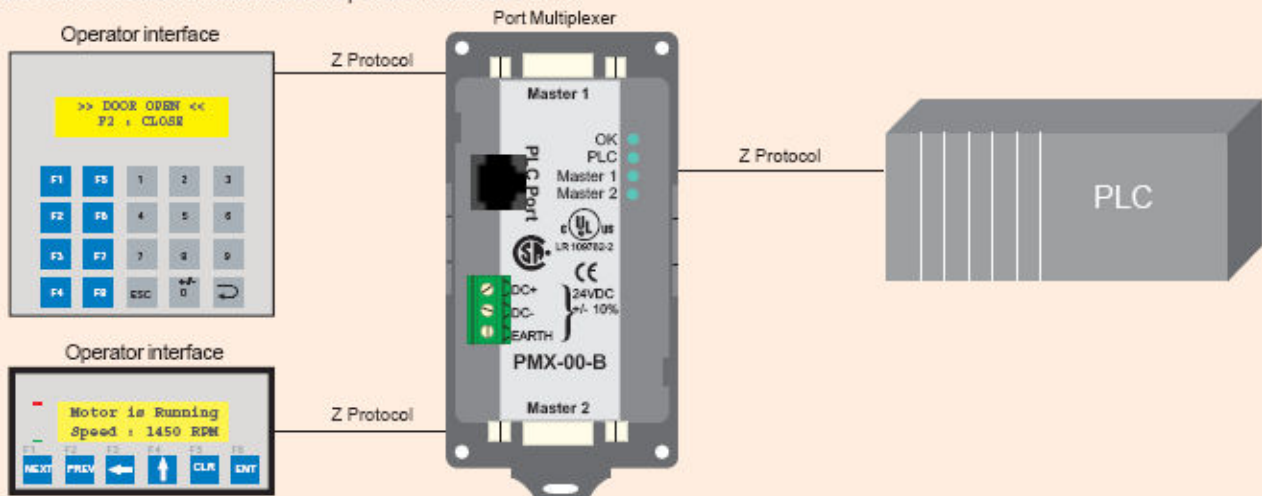
## 1. HMI and SCADA Communication / PLC Programming to PLC.



## 2. PLC communication with Analog I/O module and Operator Interface



## 3. PLC communication with Different Operator Interfaces



\* Images not to scale.

## Basic Port Multiplexer Operation

Port Multiplexer is a Port Switch for devices like PLCs, Inverters, Controllers etc. Port Multiplexer has three serial ports that connect with three different devices that support same protocol. Port Multiplexer communicates with the PLC to get the information required by two master devices.

Windows® based Port Multiplexer Setup software helps the user to configure unit.

Once the Application is defined in Setup Software the configuration is downloaded in the Port Multiplexer.

The Unit can now communicate with the connected devices and transfer data between them.

System requirements for Port Multiplexer Setup Software are:

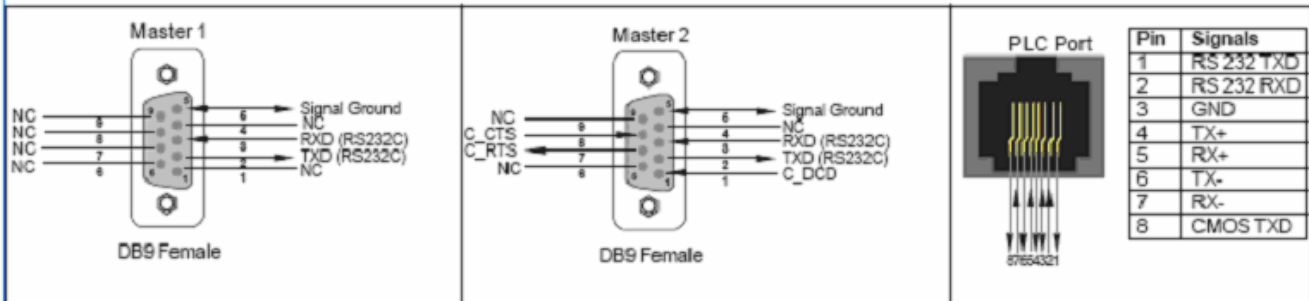
|                    |   |
|--------------------|---|
| Windows Version    | : Microsoft Windows 9x / NT / 2000 / XP |
| Processor          | : PENTIUM or higher                     |
| Hard disk Space    | : 5 MB or more                          |
| Mouse              | : Required                              |
| RAM                | : 16 MB or more                         |
| Display resolution | : 800 X 600 (VGA) or better             |
| Display colors     | : 16 bit color                          |

**Other Items required for Port Multiplexer configuration:**

1. Port Multiplexer unit
2. Port Multiplexer Configuration Cable
3. Port Multiplexer Setup Software
4. Devices with communication cables

## Communication Ports

Port Multiplexer has two identical communication ports Master1 and Master2 and third port to connect a PLC. Master ports are compatible to RS232 signal levels and PLC port supports RS232 / RS422 / 2 or 4 wire RS485 / CMOS signal levels. Pin details are given below:



\*Do not use pin no. 6 of either of the Master ports.

\*\*Refer Portmultiplexer user manual for specific cable details

## PLC's Supported

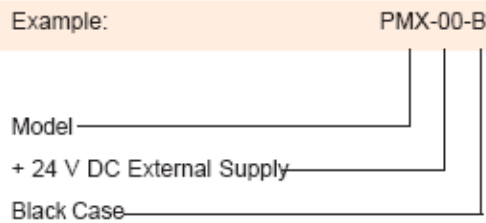
Port Multiplexer currently supports following PLC / Protocols:

- AB DF1 Full Duplex (Micrologix / SLC5/0x / PLC5/30)
- Aromat FP Series (Mewtocol)
- IDEC Micro<sup>3</sup>
- Modbus ASCII
- Modbus RTU
- Omron Host Link

## Specifications

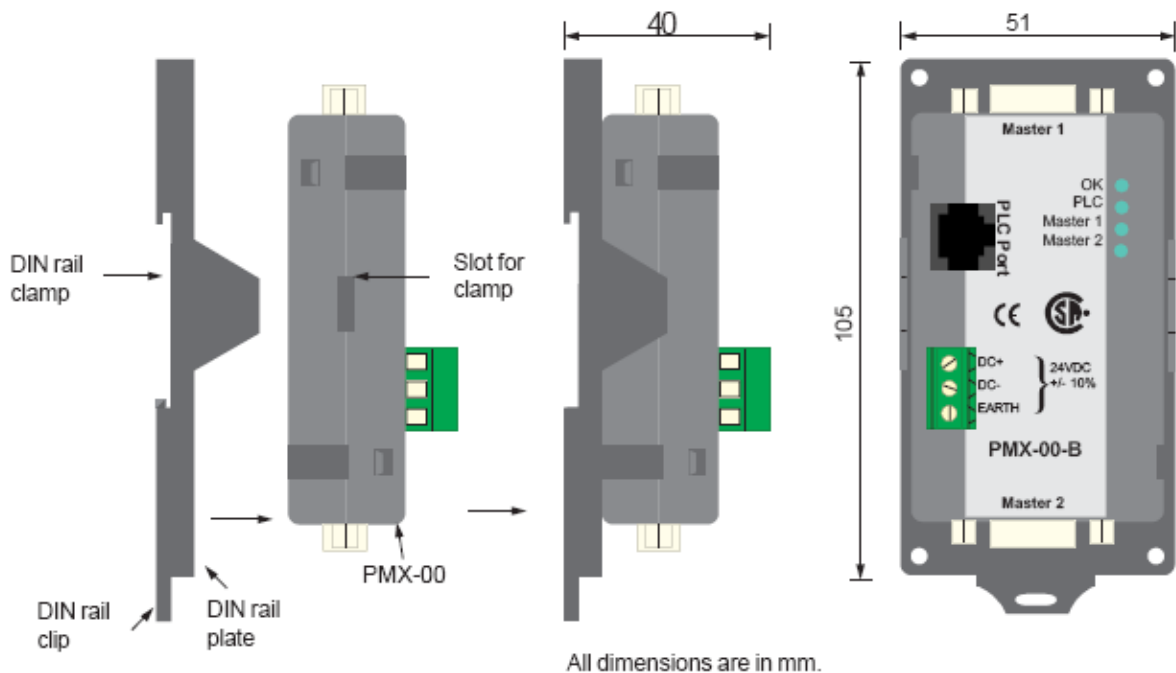
|   |                                  |                          |                                   |
|---|----------------------------------|--------------------------|-----------------------------------|
| Power   | : + 24 V DC $\pm$ 10%, 100mA max | Mounting                 | : DIN rail or back panel mounting |
| LED's   | : 4 LED's for status indication  | Dimensions (DIN rail)    | : 105mm(L) X 40mm(D) X 51mm(W)    |
| Communication Ports   | : 3 Communication ports          | Weight                   | : 125 gm approx.                  |
| <i>[isolation between communication ports and Power supply, through DC-DC coupler (isolation = 1 KV)]</i> |                                  | Approvals                | : CE, CSA                         |
| PLC Port:   | Connects to PLC                  | Immunity to ESD          | : Level 3 as per IEC1000-4-2      |
| Master 1 :  | Connects to Master Device 1      | Immunity to Transients   | : Level 3 as per IEC1000-4-4      |
| Master 2 :  | Connects to Master Device 2      | Immunity to Radiated RF  | : Level 3 as per IEC1000-4-3      |
| Temperature   | : Operating : 0° to 50°C         | Immunity to Conducted RF | : Level 3 as per IEC1000-4-6      |
|   | : Storage : -20° to 80°C         | Emissions                | : EN55011 CISPR A                 |
| Humidity  | : 10% to 90% (Non condensing)    |                          |                                   |

## Ordering Options



\* Units are also available with Gray case. Replace suffix 'B' by 'G' in unit part number for Gray case.

## Dimensions



Casuarina Services Pte Ltd  
 Blk 1004 Toa Payoh North #06-08  
 Singapore 318995  
 Tel : 65-67422869 Fax : 65-64578790  
 Email : sales@casuarina.com.sg  
 www.casuarina.com.sg

