



## Programmable Industrial Protocol Converter:

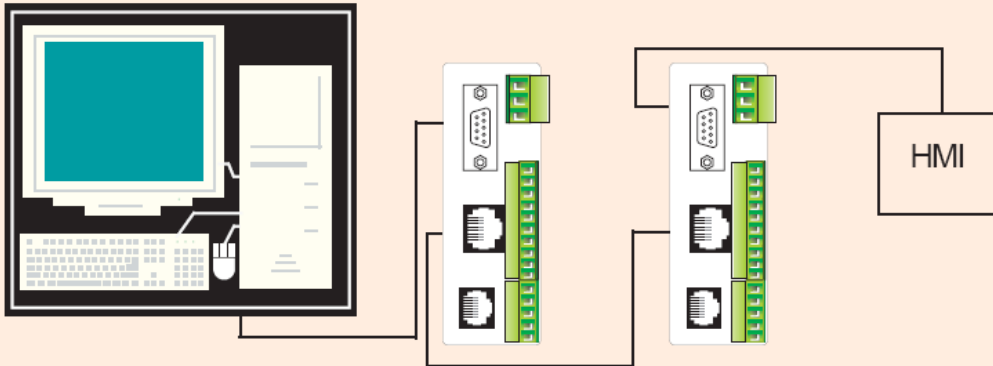
- ▶ DIN Rail or Panel Mounted compact Protocol Converter
- ▶ Hardware with two communication ports:
  - COM1: RS232 / RS422 / 2 or 4 wire RS485 / CMOS (Serial)
  - COM2: 10/100Base-T Connector (Modbus TCP/IP)
  - COM3: RS232 / Pass Through for COM1
- ▶ Connects PLCs, Drive and other serial devices on Modbus TCP/IP network
- ▶ Common model for connecting different devices. Several PLC and Inverters can be supported
- ▶ Low power consumption of only 5.0 Watts
- ▶ Common Programming software for the entire Gateway family.....FREE!!
- ▶ CE / CSA with UL certification

# ● Possible Applications

## GWY-6XX Models:

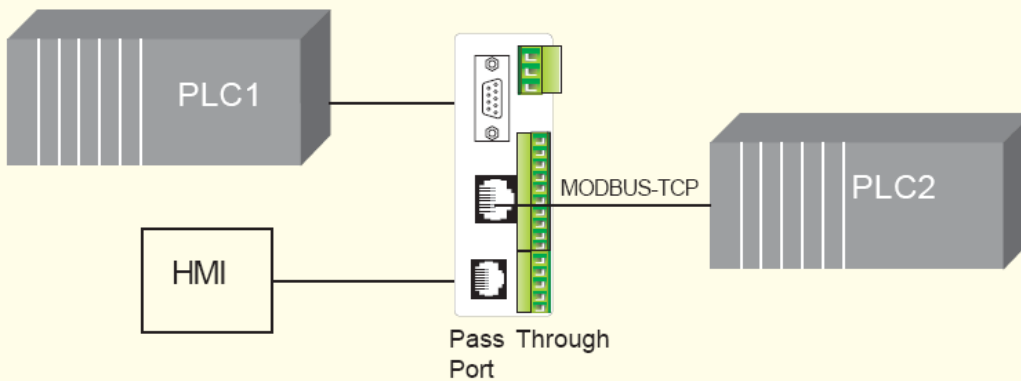
### 1. GWY-600-B (Serial to Ethernet transparent Gateway)

No protocol conversion will be done in this module. It will be a transparent Gateway and will allow application software's running on serial device to communicate with remote serial device via Ethernet.



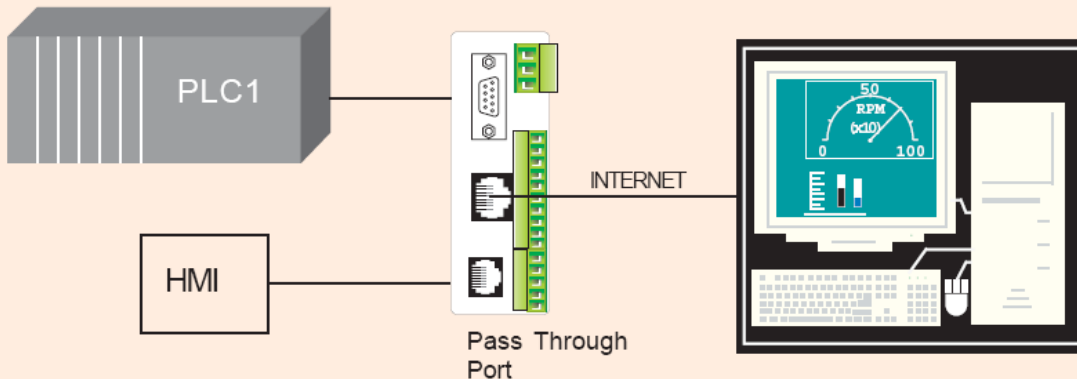
### 2. GWY-610-B (Serial protocols to Ethernet protocols Gateway)

GWY-610-B is the ideal solution for serial devices such as PLCs, Drives and Other serial device in many applications where connectivity such as Modbus TCP/IP, Ethernet IP or Toshiba protocol over UDP is needed. The GWY-610-B will be a powerful module designed with both Client and Server support, which will enable easy connection for serial devices with Modbus TCP/IP Devices. It can be also used as Modbus RTU /ASCII to Modbus TCP/IP Gateway.



### 3. GWY-620-B (Serial protocols to Ethernet-Web server Gateway)

An HTML server will be available for GWY-620-B. HTML pages (for monitoring on browser) can be downloaded in to this module using Gateway Setup software to display register values of PLC connected on serial side.



## ● Basic GWY-6XX Operations

GWY-600 is a Serial to Ethernet transparent Gateway.  
GWY-610 is a Protocol Converter / Data sharer for devices like PLC's, Inverters, Controllers etc. GWY-610 has a serial port, that connects to a serial device and a Modbus TCP/IP port, that connects to Modbus TCP/IP network. Gateway allows serial devices to act as a server on to a Modbus TCP/IP network. It also allows serial devices to act as a Client on to a Modbus TCP/IP network.

Our Windows® based Gateway setup software makes it easy to configure the GWY-610. After choosing which protocol to be used for each port, you can program the Gateway to transfer the data blocks. Same software can be used to download HTML pages in to GWY-620 to make it HTML server.

System requirements for Gateway Setup Software are:

Windows Version	: Microsoft Windows 9x/NT/2000/XP
Processor	: PENTIUM or higher
Hard disk Space	: 5 MB or more
Mouse	: Required
RAM	: 16 MB or more
Display resolution	: 800 X 600 (VGA) or better
Display colors	: 16 bit color

Other Items required for GWY-600 configuration:

1. Gateway unit
2. Gateway Configuration Cable
3. Gateway Setup Software
4. Devices with communication cables

## ● Communication Port

The GWY-6XX PLC1 / COM1port is compatible to RS232 / RS422 / RS485 and CMOS signal levels. Passthrough port supports RS232 signal levels. Pin-out of these ports are shown below:



\*Do not use pin no. 6 of PLC1/COM1 port.

## ● PLC's Supported

The GWY-6XX currently supports Modbus RTU (Master), Modbus (Slave), Toshiba T1, T2, T3, (Link Port) PLC's and Toshiba S11 Inverter protocol on serial (com1) side. On Ethernet side it currently supports modbus TCP (Client /Server) GWY -6XX can also support major brand protocols (e.g. Allen Bradley, Omron, GE, LG, Siemens, Schindler, etc.)

**New PLC drivers are constantly added. Please contact factory for more information.**

**We Welcome an opportunity to develop new, custom drivers and customization of Gateway Products**

## ● Specifications

Power	: +24V DC + 10%, 200mA max
LED's	: 3 LED's for status indication
Communication Ports	: 2 Communication ports with
COM1 (DB9 Female)	: RS232 / RS422 / RS485 / CMOS (Serial)
COM2 (RJ45)	: 10/100Base-T Connector (Modbus TCP/IP)
COM3 (RJ45)	: RS232
<i>(Isolation between communication ports and Power supply, through DC-DC coupler is 1 KV)</i>	
COM1 / PLC1 :	Connects to PC for setup download or connects to PLC1 at runtime.
COM2 / PLC2	: Connects Modbus TCP/IP Network.
<i>(Isolation between communication ports, through opto-isolation is 1KV for 1 min)</i>	
Temperature	: Operating : 0o to 60oC
Storage	: -20o to 80oC
Humidity	: 10% to 90% (Non condensing)
Mounting	: DIN rail or back panel mounting
Weight	: 250 gm approx.
Certifications	: CE, CSA and UL
Immunity to ESD	: Level 3 as per IEC1000-4-2
Immunity to Transients	: Level 3 as per IEC1000-4-4
Immunity to Radiated RF	: Level 3 as per IEC1000-4-3
Immunity to Conducted RF	: Level 3 as per IEC1000-4-6
Emissions	: EN55011 CISPR A

## ● Models

Series/Model	Technology	Protocol
GWY-00 *	Serial	Various
GWY-100 *	LonWorks	LonTalk
GWY-200 **	CANBus	DeviceNet
GWY-300 *	CANBus	CAN (J1939-71)
GWY-500 *	Profibus	Profibus-DP
GWY-600 **	Ethernet	Modbus TCP/IP
GWY-700 **	RFID	Various
GWY-800**	HART	HART

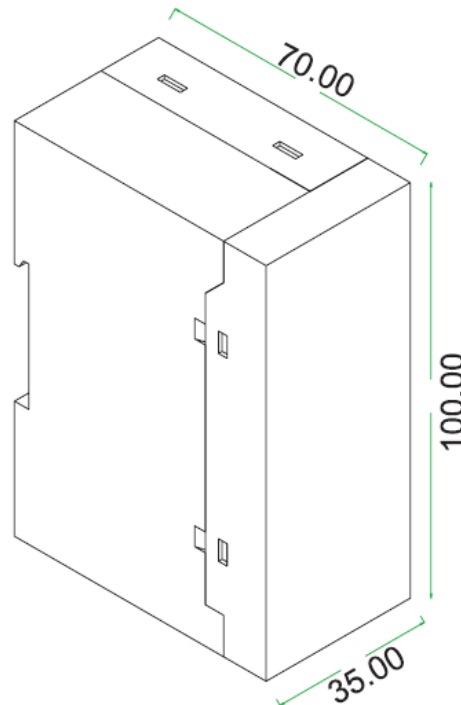
\* Released

\*\* Coming soon.

# Contact Factory

## ● Dimensions

Following sketch shows dimensional details of GWY-6XX .



Casuarina Services Pte Ltd  
 Blk 1004 Toa Payoh North #06-08  
 Singapore 318995  
 Tel : 65-67422869 Fax : 65-64578790  
 Email : sales@casuarina.com.sg  
 www.casuarina.com.sg