



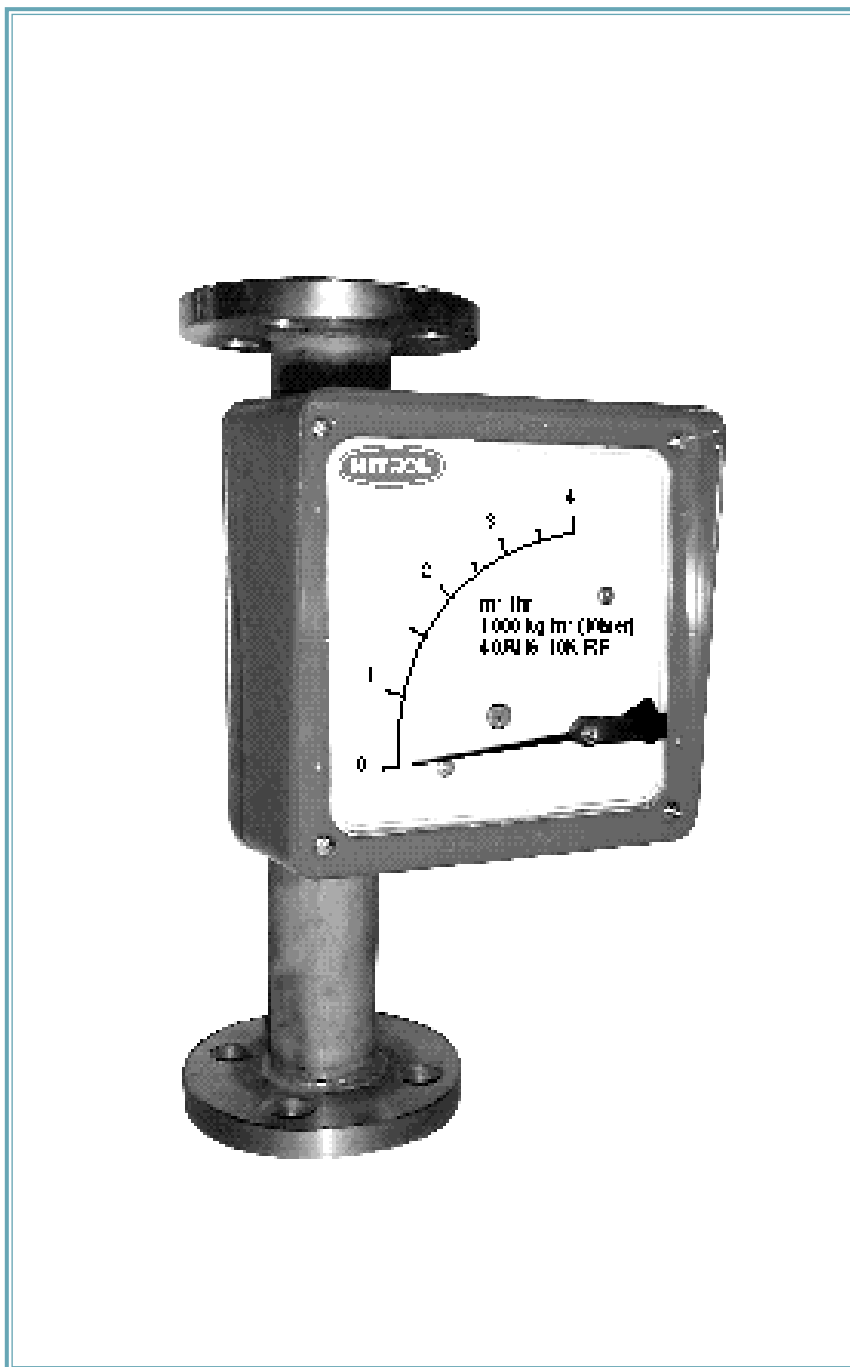
QUALITY ASSURED COMPANY ISO 9001

General Information

General Information

HFR-981 Series

Metal Tube Compact Flowmeter



HITROL CO., LTD.

General

HFR-981 series are most well accepted metal tube flowmeters which have been developed based on the long time experience of HITROL in the field of flow measurement.

The highly reliable local indicators, electric transmitters, output alarm and output pulse generator can be applied

and added to this flowmeter.

Standard metallic and full line up of lined material cover most of fluids even they are very corrosive.

HFR-981 covers liquids, gases and steam measurement applications in various industrial fields.

Features

*** FULL LINE-UP TO MEET POSSIBLE REQUIREMENTS**

The necessary functions required for variable area flowmeter, i.e. local indication, electric transmission, integration and alarm are now available as options.

*** SIMPLE AND COMPACT WITH A WIDE RANGE OF PRESSURE**

Smaller and more durable to suit modern needs. 10 kgf/cm² to 20 kgf/cm² measurements are available as standard also a higher pressure measurement version is available to meet your needs.

*** WIDE RANGE OF MATERIAL SELECTION**

All possible metallic material are available even for corrosive fluids.

*** FOR HAZARDOUS AREA**

Intrinsically safe version are available to meet hazardous area applications.

*** HIGH ACCURACY**

Higher accuracy rate. Accuracy of existing metal tube has been improved to $\pm 2.0\%$

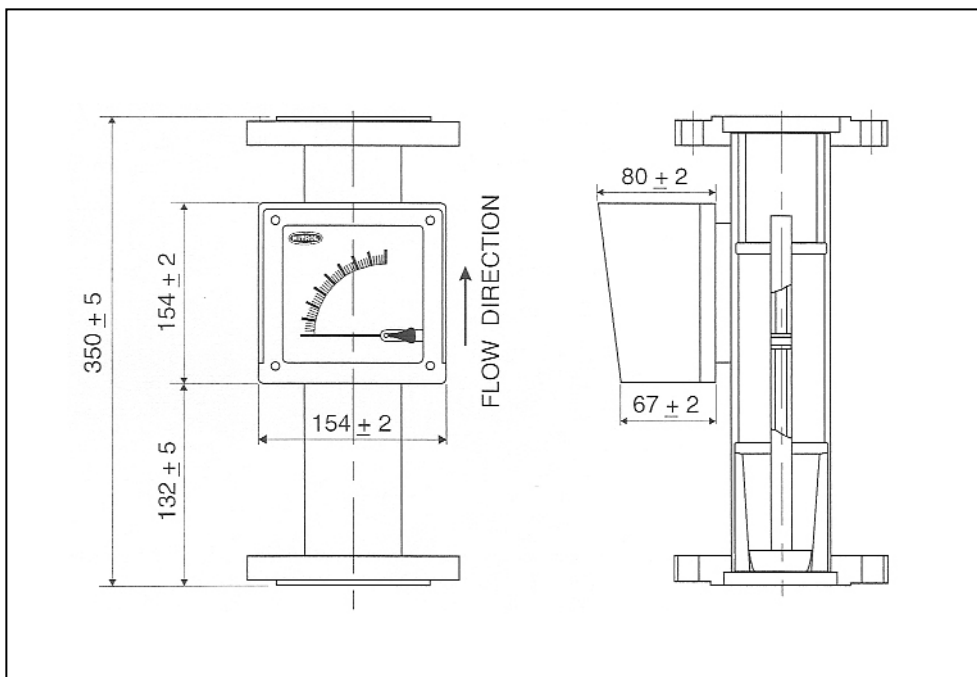
Specifications

Model	HFR 981-XXXXX
Turndown Ratio	10 : 1
Accuracy (%)	$\pm 2.0\%$ FS
Liquid	Liquid, Air (Gas)
Oper Temp.(°C)	20-300
Oper Press (kgf/cm ² G)	1-20
Flow Direction	Bottom - Top (Side - Top)
Mounting	Vertical
Material	Carbon steel, 304 SS, 316 SS
Size(mm)	15~200A (Option: Other Size)
Indicating	Local Indicating
Output Signal	Option:DC 4-20 mA
Connection	Flange(RF, FF, ANSI, DIN)
Repeatability	$\pm 1.0\%$ FS
Case Cover Material	PP
Enclosure	Weather-Proof Option : Explosion-Proof

Flow Selection

	Size		Liquid Max. Flow(m ³ /h)	Air Max. Flow (Nm ³ /h)
	mm	inch		
15	1/2		0.2 ~ 2	3 ~ 30
20	3/4		0.35 ~ 3.5	5 ~ 50
25	1		0.6 ~ 6	9 ~ 90
32	1-1/4		1 ~ 10	15 ~ 150
40	1-1/2		2 ~ 20	20 ~ 200
50	2		2.5 ~ 25	40 ~ 400
65	2-1/2		4 ~ 40	60 ~ 600
80	3		5 ~ 50	80 ~ 800
100	4		9 ~ 90	120 ~ 1200
125	5		15 ~ 150	200 ~ 2000
150	6		20 ~ 200	300 ~ 3000
200	8		28 ~ 280	400 ~ 4000

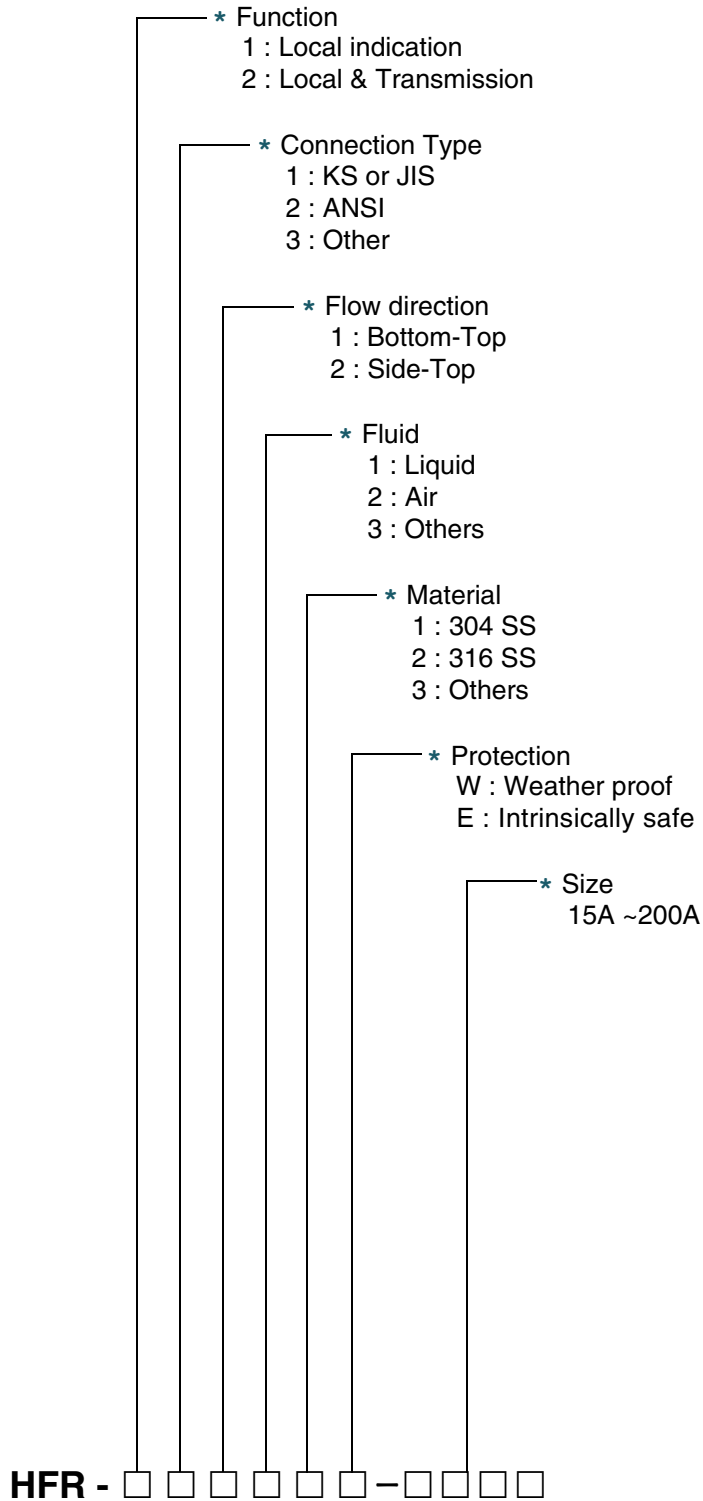
Dimensions



Ordering Form

COMM	Model		
	Fluid name		
	Sp. Gr.		
	Viscosity		
	Pressure		
	Temperature		
	Scale range		
	Connection size		
	Flange rating		
	Material class		
TRANSMITTERS		HFR981-	HFR982-
	Connection	Std. G1/2 Others	Std. G1/2 Others
	Enclosure	Weather proof	Weather proof Intrinsically safe
	Power supply	-	DC 24 V
	Alarm point	-	-
	Alarm setting	-	-
	Count		-
	Accessory	Cable gland	Cable gland

ORDER CODES



HITROL CO., LTD.

HEAD OFFICE · FACTORY · R & D INSTITUTE

62-182 BONGILCHEON-RI CHORI-EUP

PAJU CITY KYUNGGI-DO KOREA

TEL : (031) 943-0875~7

FAX : (031) 943-0878, 5600

<http://www.hitrol.co.kr>

hitrol@hitrol.co.kr