

MA3350 DC

Cost effective surge protection for integration into OEM applications or DC cabinets

- **15kA (10/350µs) per pole Type I**
- **Only 38mm wide**
- **Highest fault current clearing, 100kA without backup fuses**
- **Thermal and short circuit fusing**
- **Easy DIN rail mounting**
- **Perfect for OEM or cabinet applications and Photovoltaic (PV) applications**



The MA3350 is ideal for DC applications where high surge current surge protection is needed in a small space. The MA3350 DC is only 38mm wide. Each mode in the MA3350 DC is rated to a full 50kA (8/20 µs) and 15kA (10/350µs).

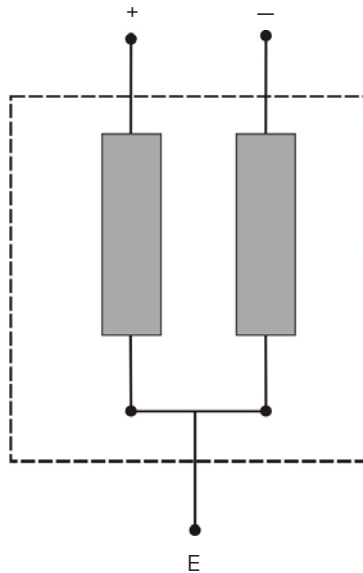
The MA3350 carries a suite of diagnostics that monitors each component of the suppression circuit. Each unit has positive indication. Remote monitoring of the MA3350 is possible using the standard voltage free contacts.

All modules are DIN rail mounted and are supplied complete with hook-up cables for ease of installation.

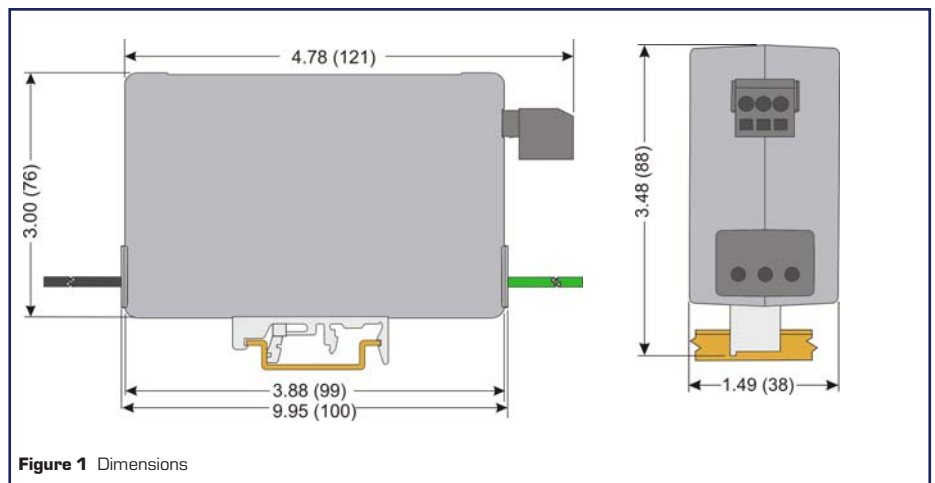
In addition to industry leading surge current ratings **the MA3350 also carries industry leading fault clearing ratings.**

The MA3350 can be used on power systems with up to 100kA prospective fault currents.

MA3350 DC EU and Japan models	MA3350DC-500-2R	MA3350DC-600-2R	MA3350DC-1000-2R
Protected wires	+, -, E	+, -, E	+, -, E
Typical application	DC	DC	DC
IEC category	I/II	I/II	I/II
Nominal voltage U_n	500V DC	600V DC	1000V DC
Max. Continuous voltage U_c (DC)	575V DC	675V DC	1200V DC
Leakage current to PE at U_n	<0.3mA	<0.3mA	<0.3mA
Lightning test current I_{imp} (10/350) I_{imp}	15kA	15kA	15kA
Max discharge surge current I_{max} (8/20) per mode	50kA	50kA	50kA
Nominal discharge surge current I_n (8/20) per mode	10kA	10kA	10kA
Protection level at 3000A (8/20) + to -	<1.2kV	<1.5kV	<3.0kV
Protection level U_p at I_n (10,000A)	<1.7kV	<2.0kV	<4.0kV
Response time t_a	<5ns	<5ns	<5ns
Short circuit withstand (no backup fuse required)	100kA	100kA	100kA
Temperature range	-40°C to 80°C	-40°C to 80°C	-40°C to 80°C
Protection type according to IEC 60529/EN60529	IP20	IP20	IP20
Remote indication contacts (NO)	12V DC, 10mA Max.	12V DC, 10mA Max.	12V DC, 10mA Max.
Duty cycle	20kA - >4,000; 10kA - >6,000	20kA - >4,000; 10kA - >6,000	20kA - >4,000; 10kA - >6,000
Long duration 10/1000µs	3,600A	3,600A	3,600A
Lead cross section	8mm ² (#8 AWG)	8mm ² (#8 AWG)	8mm ² (#8 AWG)



This symbol represents individual high surge capacity surge protection devices, fuses capable of interrupting high (100kA AIC) prospective fault arrestor and state-of-the-art status monitoring electronics.



For more information please contact your local MTL sales office:

The Americas: +1 800 835 7075
UK: +44 (0)1582 723633
Singapore: +65 6 487 7887
The Netherlands: +31 (0)481 450250
Italy: +39 (0)2 6180 2011
Australia: +61 (0)8 9455 2994
India: +91 (0)44 450 1660

Local sales office information is also available on our web site at:
www.mtl-inst.com/contact/

